

Supplementary amphibian and reptilian records from European Turkey

European Turkey (or Turkish Thrace) is 23,764 km² in size and situated in the extreme east of the Balkan Peninsula, which is considered a biodiversity hotspot (GASTON & DAVID 1994). At present, this region is separated from Anatolian Turkey by the Bosphorus Sound, the Marmara Sea and the isthmus of the Dardanelles, but the presence of a Pleistocene Balkan-Anatolian land-bridge played an important role for the migration and spreading of many species (see e.g. SZYMURA et al. 1996; STÖCK et al. 2006; FRITZ et al. 2007; KYRIAZI et al. 2008; STÖCK et al. 2008; URSENBACHER et al. 2008; GUICKING et al. 2009; STAMATIS et al. 2009; NAGY et al. 2010; WIELSTRA et al. 2010; KORNILIOS et al. 2012). European Turkey occupies the southeasternmost part of the Balkan Peninsula between the Aegean Sea and the Black Sea. The highest elevation of this region is Mahya Dağı (1031 m a.s.l.) in Yıldız Dağları (Strandja Mts.). European Turkey falls into the Marmara climatic region (SINDACO et al. 2000) in which the annual precipitation ranges from about 600 to 900 mm, with the maximum in winter. Temperatures in January are close to the freezing point, the summers are hot, with July temperatures above 25–30°C. The natural vegetation of this area is formed by Mediterranean woodland with *Carpinus* spp., *Castanea sativa*, *Corylus* spp., *Fagus orientalis*, *Ilex* spp., *Laurus* spp., *Olea europaea*, *Myrtus communis*, *Picea orientalis*, *Quercus coccifera*, *Qu. robur* prevailing. The whole region is greatly modified by human activity, mainly by agricultural practices (e. g., many paddy fields in the central and western parts of European Turkey).

General knowledge about the herpetofauna and batrachofauna of Turkey relates especially to its Asian portion, due to a long tradition of herpetological research in this area (see e. g. WERNER 1902; BODENHEIMER 1944; BOŞOĞLU & ÖZETİ 1973; BARAN 1976; ANDRÉN & NILSON 1976; BOŞOĞLU & BARAN 1977, 1980; BARAN & ATATÜR 1998).

Studies focused on selected Thracian amphibians and reptiles were published by

BOŞOĞLU & HELLMICH (1959), ANDRÉN & NILSON (1976), ATATÜR & YILMAZ (1986), İLGAZ & KUMLUTAŞ (2005) and AYAZ et al. (2007), but consistent faunistic data on the distribution of amphibians and reptiles from European Turkey are still scattered and scarce. Detailed information was compiled in the comprehensive volumes of the 'Handbuch der Reptilien und Amphibien Europas' (not quoted here). The most recent summaries of herpetofaunal data from European Turkey were given in GASC et al. (1997) and for reptiles in SINDACO et al. (2000). Based on our present knowledge, the fauna of European Turkey includes 11 species of amphibians and 32 of reptiles, according to the current taxonomy in SPEYBROECK et al. (2010).

In this article we present results of our herpetological studies made at fifteen localities of Turkish Thrace between 6–10 April 2009 and 18–22 May 2010 in four provinces of European Turkey: Edirne, Kırklareli, Istanbul and Çanakkale. Observations were made during day and night at various places including the Yıldız Dağları Mts. and the Gelibolu Peninsula. The following fifteen localities were surveyed in detail (geographical coordinates and altitudes a.s.l. in parentheses): 1 – Edirne (41°40'/26°33', 46 m), 2 – Gellipoli (40°24'/26°39', 7 m), 3 – Kilitbahir (40°08'/26°22', 8 m), 4 – Eceabat (40°10'/26°21', 3 m), 5 – Kabatepe (40°12'/26°19', 12 m), 6 – Üsküp (41°44'/27°24', 62 m), 7 – Dupnisa Magarasi (41°50'/27°33', 343 m), 8 – Demirköy (41°49'/27°45', 320 m), 9 – Istanbul (41°00'/28°59', 8 m), 10 – Ömeroba (41°54'/26°55', 287 m), 11 – Kayali (41°46'/27°06', 257 m), 12 – İğneada (41°52'/27°54', 22 m), 13 – Sarpdere (41°52'/27°36', 561 m), 14 – Iskender (41°37'/26°41', 64 m), and 15 – Kayapa (41°47'/26°41', 107 m). Herpetological findings were properly documented and included specimens' identification and photography, site description and positioning (GPS). Specimens were identified at species level according to ARNOLD & OVENDEN (2002) and VALAKOS et al. (2008). Nomenclature follows SPEYBROECK et al. (2010). The distribution data of individual species or species complexes are presented in 50 km x 50 km Universal Transverse Mercator (UTM) grid maps and compared with those of GASC et al. (1997). Information from

SINDACO et al. (2000) was not taken into consideration due to different mapping methodology and the focus restricted to reptiles, which would have led to inconsistent comparisons in the maps presented. The region under study is fully or partly covered by 26 such UTM grids, seven of which were represented by the above fifteen locations visited.

The following list of records, arranged according to taxonomical groups, comprises the record localities (internal numbering in parentheses) and the numbers and developmental stages of specimens observed. Record localities marked by an asterisk represent new 50 km x 50 km UTM grid records for European Turkey (as compared to GASC et al. 1997). We refrained from specific assignment of the green toads, tree-frogs and waterfrogs observed since identification in the field from external morphological traits is unreliable.

Lissotriton vulgaris (LINNAEUS, 1758) - Kaypa (15), three adult females (Fig. 1A).

Bufo bufo (LINNAEUS, 1758) - Demirköy (8), five adult specimens and hundreds of tadpoles in the Velika stream; İğneada (12), dozens of tadpoles in the Madana stream; Sarpdere (13), one adult specimen (Figs. 1B, 2C, 2E).

Bufo viridis (LAURENTI, 1768) complex - Edirne (1), one adult specimen; Kilibahir (3), two specimens; Eceabat (4), one specimen (Fig. 1C). Remark: *Bufo viridis* and possibly also *Bufo variabilis* (PALLAS, 1769) could occur in the region (compare STÖCK et al. 2006).

Hyla sp. - Edirne (1), dozens of adult specimens (Fig. 1D). Remark: According to STÖCK et al. (2008) the tree frog of European Turkey is *Hyla orientalis* BEDRIAGA, 1890, not *Hyla arborea* (LINNAEUS, 1758).

Pelophylax sp. - Edirne (1), few adult specimens; Gellipoli (2), five adult specimens; Eceabat (4), 12 specimens in two isolated reservoirs with brackish water; Kabatepe (5), dozens of specimens; Üsküp (6), dozens of specimens in the stream flowing across the center of the village; Demirköy (8), two adult specimens; Ömeroba (10), dozens of adult specimens and tadpoles; Kaypa (15), dozens of adult specimens (Fig. 1E, 2A). Remark: In European Turkey two species of water frogs were identified, *Pelophylax ridibundus* (PALLAS, 1771) and *P.*

bedriagae (CAMERANO, 1882) (LYMBERAKIS et al. 2007; AKIN et al. 2010).

Rana dalmatina FITZINGER in BONAPARTE, 1839 - Demirköy (8), one adult specimen; İğneada (12), two adult specimens (Fig. 1F, 2C).

Emys orbicularis (LINNAEUS, 1758) - İğneada* (12), eight adult specimens (Figs. 1G, 2C).

Mauremys rivulata (VALENCIENNES, 1833) - Eceabat (4), ten adult and subadult specimens; Kabatepe* (5), several adult specimens (Fig. 1H, 2A).

Testudo graeca LINNAEUS, 1758 - Eceabat (4), one adult female; Kayali (11), one juvenile specimen, Sarpdere (13), one adult female (Figs. 1I, 2D, 2E).

Hemidactylus turcicus (LINNAEUS, 1758) - Kilibahir (3), one adult specimen (Fig. 1J).

Ablepharus kitaibelii BIBRON & BORY DE SAINT-VINCENT, 1833 - Dupnisa Magarasi* (7), 12 adult and subadult specimens; Demirköy* (8), two adult specimens (Fig. 1K).

Darevskia praticola (EVERSMANN, 1834) - Demirköy* (8), two adult specimens (Fig. 1L).

Lacerta trilineata BEDRIAGA, 1886 - Kabatepe (5), three subadult specimens; Kayali* (11), six adult specimens (Figs. 1M, 2B, 2D).

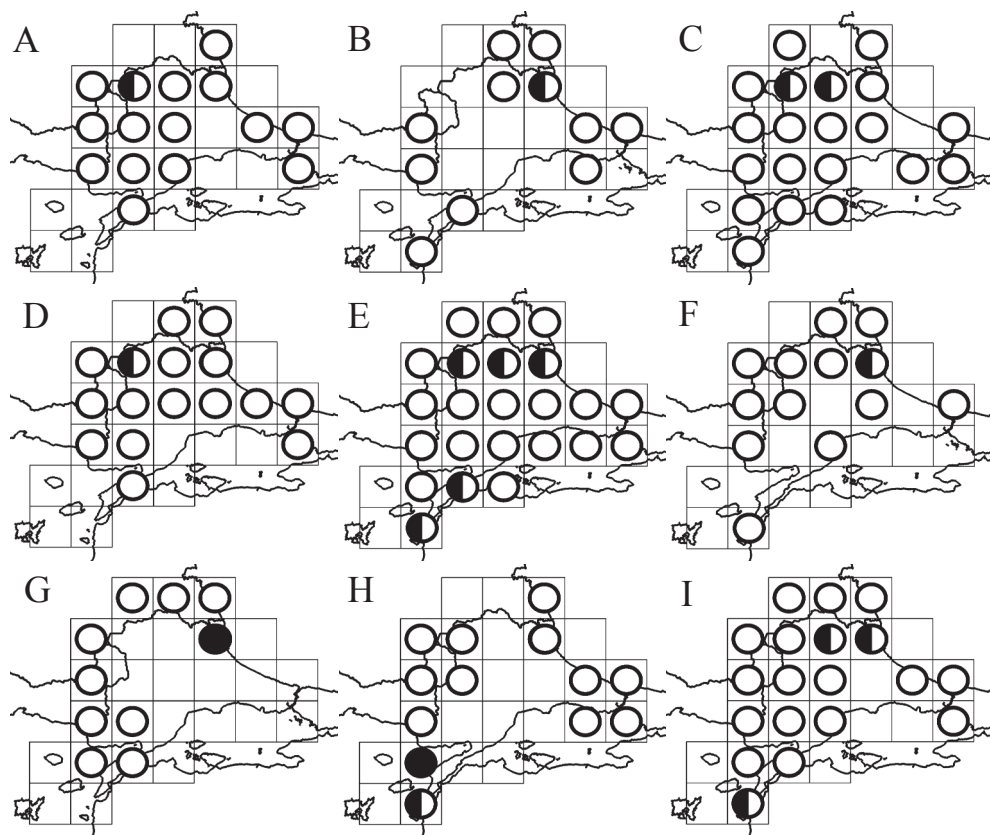
Lacerta viridis (LAURENTI, 1768) - Dupnisa Magarasi (7), five adult specimens; Demirköy* (8), one subadult specimen; İğneada* (12), several adult specimens; Sarpdere* (13), several adult specimens (Figs. 1N, 2E).

Ophisops elegans MÉNÉTRIÉS, 1832 - Kilibahir (3), six adult specimens; Kabatepe (5), ten adult specimens (Fig. 1O, 2B).

Podarcis muralis (LAURENTI, 1768) - Dupnisa Magarasi (7), three adult specimens; Demirköy* (8), one subadult specimen; Sarpdere* (13), ten adult specimens (Figs. 1P, 2E).

Podarcis siculus (RAFINESQUE-SCHMALTZ, 1810) - Istanbul (9), dozens of adult and subadult specimens (Fig. 1Q). Remark: New records of this species were reported from the Marmara region by UĞURTAŞ et al. (2000) and MOLLOV (2009).

Podarcis tauricus (PALLAS, 1814) - Kayali* (11), dozens of adult specimens (Fig. 1R, 2D).

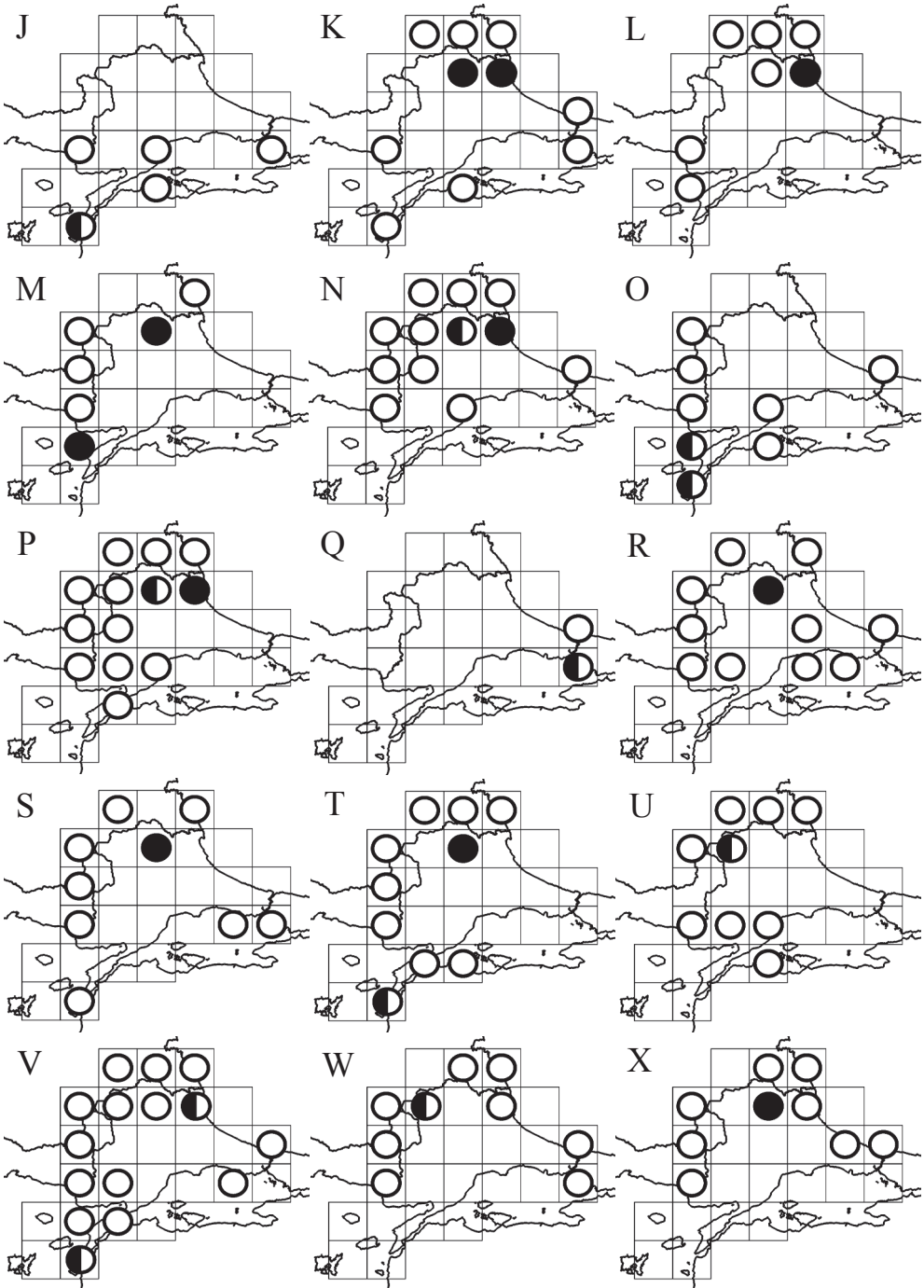


Figs. 1A-X (this and following page): Distribution data of amphibian and reptile species observed in the study of the European Turkey. Records are represented on a 50 km x 50 km UTM grid map. Empty circles – records published in GASC et al. (1997) (before and after 1970 not distinguished), not confirmed in this study; filled black circles – new records, as compared to data in GASC et al. (1997); half-filled circles – records in GASC et al. (1997) that are confirmed in this study.

Abb. 1A-X (diese und folgende Seite): Verbreitungsangaben zu den beobachteten Amphibien- und Reptilienarten im Untersuchungsgebiet der Europäischen Türkei.

Die Nachweise sind in UTM Rasterkarten (Rasterweite: 50 km x 50 km) dargestellt. Leere Kreise – In der vorliegenden Untersuchung nicht bestätigte Nachweise aus GASC et al. (1997) (Zeitschnitt 1970 nicht berücksichtigt); ausgefüllte Kreise – neue Nachweise gegenüber den Angaben in GASC et al. (1997); halb gefüllte Kreise – In der vorliegenden Untersuchung bestätigte Nachweise in GASC et al. (1997).

A - *Lissotriton vulgaris*; B - *Bufo bufo*; C - *Bufo viridis* complex (*B. viridis* and possibly also *B. variabilis* could occur in the region; cf. STÖCK et al. 2006); D - *Hyla* sp. (*H. orientalis* and possibly also *H. arborea* could occur in the region; cf. STÖCK et al. 2008); E - *Pelophylax* sp. (*P. ridibundus* and *P. bedriagae* probably occur in the region; cf. LYMBERAKIS et al. 2007; AKIN et al. 2010); F - *Rana dalmatina*; G - *Emys orbicularis*; H - *Mauremys rivulata*; I - *Testudo graeca*; J - *Hemidactylus turcicus*; K - *Ablepharus kitaibelii*; L - *Darevskia praticola*; M - *Lacerta trilineata*; N - *Lacerta viridis*; O - *Ophisops elegans*; P - *Podarcis muralis*; Q - *Podarcis siculus*; R - *Podarcis tauricus*; S - *Pseudopus apodus*; T - *Dolichophis caspius*; U - *Elaphe sauromates*; V - *Natrix natrix*; W - *Natrix tessellata*; X - *Vipera ammodytes*.



Figs. 1A-X (continued from preceding page; for caption see there).
Abb. 1A-X (Fortsetzung der vorangehenden Seite; Bildunterschrift siehe dort).



Figs. 2A-F: Habitats of amphibians and reptiles in European Turkey (species observed in parentheses).

Abb. 2A-F: Amphibien- und Reptilienhabitate in der Europäischen Türkei (beobachtete Arten in Klammern).

A – Eceabat (*Mauremys rivulata*, *Pelophylax* sp.). B – Kabatepe (*Lacerta trilineata*, *Ophisops elegans*).

C – İğneada (*Bufo bufo*, *Rana dalmatina*, *Emys orbicularis*, *Natrix natrix*).

D – Kayali (*Testudo graeca*, *Lacerta trilineata*, *Podarcis tauricus*, *Dolichophis caspius*, *Vipera ammodytes*).

E – Demirköy (*Bufo bufo*, *Testudo graeca*, *Lacerta viridis*, *Podarcis muralis*). F – Iskender (*Elaphe sauromates*).

Pseudopus apodus (PALLAS, 1775) - Üsküp* (6), one adult specimen (Fig. 1S).

Dolichophis caspius (GMELIN, 1789) - Kilidibahir (3), 1.3 m long ecdysis of adult specimen; Kayali* (11), two adult specimens (Figs. 1T, 2D).

Elaphe sauromates (PALLAS, 1814) - Iskender (14), one adult specimen (Figs. 1U, 2F).

Natrix natrix (LINNAEUS, 1758) - Kilidibahir (3), one juvenile specimen; İğneada (12), one juvenile specimen (Figs. 1V, 2C).

Natrix tessellata (LAURENTI, 1768) - Ömeroba (10), one juvenile specimen (Fig. 1W).

Vipera ammodytes (LINNAEUS, 1758) - Kayali* (11), one adult male specimen (Figs. 1X, 2D).

In total, we recorded 24 amphibian and reptile species representing 55.8% of the total number of known species of European Turkey (43 species; according to the maps in GASC et al. 1997 with respect to the current taxonomy in SPEYBROECK et al. 2010). Out of the 24 species, six were amphibians (from 11 species known in total, which is 54.5%) and 18 reptiles (from 32 species known from the area, which is 56.3%).

Amphibians were observed at 11 and Reptilia at 13 of 15 sites under study. In comparison with the distribution maps of GASC et al. (1997), we found 13 new 50 km x 50 km grid records for 11 species of Reptilia - *Emys orbicularis*, *Mauremys rivulata*, *Ablepharus kitaibelii*, *Darevskia praticola*, *Lacerta trilineata*, *L. viridis*, *Podarcis muralis*, *P. tauricus*, *Pseudopus apodus*, *Dolichophis caspius* and *Vipera ammodytes*.

We did not find the following species known from the literature to occur in European Turkey (BODENHEIMER 1944; BAŞOĞLU & HELLMICH 1959; BAŞOĞLU & ÖZETİ 1973; BARAN 1976; ATATÜR & YILMAZ 1986; GASC et al. 1997; SINDACO et al. 2000; ILGAZ & KUMLUTAŞ 2005): *Triturus arntzeni* LITVINCHUK, BORKIN, DZUKIC & KALEZIC, 1999, *Bombina bombina* (LINNAEUS, 1761), *B. variegata* (LINNAEUS, 1758), *Pelobates fuscus* (LAURENTI, 1768), *P. syriacus* BOETTGER, 1889, *Laudakia stellio* (LINNAEUS, 1758), *Anguis fragilis* LINNAEUS, 1758 complex, *Mediodactylus kotschy* (STEINDACHNER, 1870), *Eryx jaculus* (LINNAEUS, 1758), *Typhlops vermicularis* MERREM, 1820, *Coronella austriaca* LAURENTI, 1768, *Eirenis modestus* (MARTIN, 1838), *Zamenis longissimus* (LAURENTI, 1768), *Zamenis situla* (LINNAEUS, 1758), *Platyceps collaris* (MÜLLER, 1878), *P. najadum* (EICHWALD, 1831), *Telescopus fallax* (FLEISCHMANN, 1831), *Malpolon insignitus* (GEOFFROY DE SAINT-HILAIRE, 1827) and *Montivipera xanthina* (GRAY, 1849).

With regard to the mainland border areas of European Turkey, the grid maps in GASC et al. (1997) refer to records of *Sala-*

mandra salamandra (LINNAEUS, 1758), *Rana temporaria* LINNAEUS, 1758, *Rana graeca* BOULENGER, 1891, *Testudo hermanni* GME-LIN, 1789, *Lacerta agilis* LINNAEUS, 1758, *Podarcis erhardii* (BEDRIAGA, 1876) and *Vipera berus* (LINNAEUS, 1758) (see also e.g., BUTTLE 1989; VALAKOS et al. 2008; BAKALOUDIS 2010; STOJANOV et al. 2011) which were, however, not yet reported from European Turkey. A single record of the Anatolian species *Parvilacerta parva* (BOULENGER, 1887) which was never observed again suggests accidental introduction (cf. VENCHI & BOLOGNA 1996). The aforementioned species were not classified members of the herpetofauna of Turkish Thrace in the present paper.

ACKNOWLEDGMENTS: Thanks belong to P. FENĐA (Bratislava) for important help with searching of herpetofauna in terrain of Turkey and V. GVOZĐIK (Praha) for his prompt remarks to the text and discussion.

REFERENCES: AKIN, C. & BILGIN, C. C. & BEERLI, P. & WESTAWAY, R. & OHST, T. & LITVINCHUK, S. N. & UZZEL, T. & BILGIN, M. & HOTZ, H. & GUEX, G.-D. & PLOTNER, J. (2010): Phylogeographic patterns of genetic diversity in eastern Mediterranean water frogs were determined by geological processes and climate change in the Late Cenozoic.- Journal of Biogeography, Oxford; 37: 2111-2124. ANDRÉN, C. & NILSON, G. (1976): Observations on the herpetofauna of Turkey in 1968-1973.- British Journal of Herpetology, London; 5: 575-584. ARNOLD, N. & OVENDEN, D. (2002): A field guide to the reptiles and amphibians of Britain and Europe; London (Harper Collins Publishers), pp. 288. ATATÜR, M. K. & YILMAZ, İ. (1986): A comparison of the amphibian fauna of Turkish Thrace with that of Anatolia and Balkan states.- Amphibia-Reptilia, Leiden; 7: 135-140. AYAZ, D. & FRITZ, U. & ATATÜR, M. K. (2007): Morphological comparison of *Emys orbicularis* (LINNAEUS, 1758) from European Turkey and eastern Bulgaria (Testudines: Emydidae).- Herpetozoa, Wien; 20 (1/2): 11-20. BAKALOUDIS, D. E. (2010): Spatial and temporal variation of reptiles; pp. 139-150. In: CATSADORAKIS, G. & KÄLLÄNDER, H. (Eds.): The Dadia-Lefkimi-Soufli National Park: biodiversity, management and conservation. Athina (WWF Greece). BARAN, İ. (1976): Türkiye yılanlarının taksonomik revizyonu ve coğrafi dağılımları; Ankara (TÜBİTAK), pp. 177. BARAN, İ. & ATATÜR, M. K. (1998): Turkish herpetofauna (Amphibians and reptiles); Ankara (Republic of Turkey, Ministry of the Environment), pp. 214. BAŞOĞLU, M. & BARAN, İ. (1977): Türkiye sürüngenleri, kısım I. Kaplumbağa ve kertenkeleler [The reptiles of Turkey. Part I. The turtles and lizards].- Ege Üniversitesi fen Fakültesi Kitaplar Serisi, Bornova İzmir; 76: 1-257. BAŞOĞLU, M. & BARAN, İ. (1980): Türkiye sürüngenleri kısım II: Yılanlar [The reptiles of Turkey. Part II. The snakes].- Ege Üniversitesi fen Fakültesi Kitaplar Serisi, Bornova İzmir; 81: 1-218. BAŞOĞLU, M. & HELLMICH, W. (1959): Auf herpetologischer Forschungsfahrt in Ost-Anatolien.- Die Aquarien- und Terrarienzeitschrift, Stuttgart; 12 (4): 118-121. BAŞOĞLU, M. & ÖZETİ, N.

- (1973): Türkiye amfibileri [The amphibians of Turkey].- Ege Üniversitesi Fen Fakültesi Kitaplar Serisi, Bornova İzmir; 50: 1-155. BODENHEIMER, F. S. (1944): Introduction to the knowledge of the Amphibia and Reptilia of Turkey.- İstanbul Üniversitesi Fen Fakültesi Mecmuası, İstanbul; 9: 1-93. BUTTLE, D. (1989): Notes on reptiles and amphibians of northeastern Greece and the island of Samothraki.- British Herpetological Society Bulletin, London; 29: 49-53. FRITZ, U. & HUNSDÖRFER, A. K. & ŠIROKÝ, P. & AUER, M. & KAMI, H. & LEHMANN, J. & MAZANAIEVA, L. F. & TÜRKÖZAN, O. & WINK, M. (2007): Phenotypic plasticity leads to incongruence between morphology-based taxonomy and genetic differentiation in western Palearctic tortoises (*Testudo graeca* complex; Testudines, Testudinidae).- Amphibia-Reptilia, Leiden; 28: 97-121. GASC, J.-P. & CABELA, A. & CRNOBRNJA-ISAILOVIĆ, J. & DOLMEN, D. & GROSSENBACHER, K. & HAFNER, P. & LESCURE, J. & MARTENS, H. & MARTINEZ RICA, J. P. & MAURIN, H. & OLIVEIRA, M. E. & SOFIANIDOU, T. S. & VEITH, M. & ZUIDERWIJK, A. (Eds.) (1997): Atlas of amphibians and reptiles in Europe; Paris (Societas Europaea Herpetologica, Museum National d'Histoire Naturelle & Service du Patrimoine Naturel), pp. 496. GASTON, K. J. & DAVID, R. (1994): Hotspots across Europe.- Biodiversity Letters, Oxford; 2: 108-116. GUICKING, D. & JOGER, U. & WINK, M. (2009): Cryptic diversity in a Eurasian water snake (*Natrix tessellata*, Serpentes: Colubridae): evidence from mitochondrial sequence data and nuclear ISSR-PCR fingerprinting.- Organisms, Diversity and Evolution, Berlin; 9: 201-214. ILGAZ, Ç. & KUMLUTAŞ, Y. (2005): The amphibian and reptile species of İğneada (Kirkklareli) and its vicinity.- Pakistan Journal of Biological Sciences, Faisalabad; 8: 558-560. KORNILIOS, P. & ILGAZ, Ç. & KUMLUTAŞ, Y. & LYMBERAKIS, P. & MORAVEC, J. & SINDACO, R. & RASTEGAR-POUYANI, N. & AFROOSHEH, M. & GOKAS, S. & FRAGUEDAKIS-TSOLIS, S. & CHONDPOULOS, B. (2012): Neogene climatic oscillations shape the biogeography and evolutionary history of the Eurasian blindsnake.- Molecular Phylogenetics and Evolution, San Diego; 62: 856-873. KYRIAZI, P. & POULAKAKIS, N. & PARMAKELIS, A. & CROCHET, P. A. & MORAVEC, J. & RASTEGAR-POUYANI, N. & TSIGENOPOULOS, C. S. & MAGOULAS, A. & MYLONAS, M. & LYMBERAKIS, P. (2008): Mitochondrial DNA reveals the geological history of the snake-eyed lizards (*Ophisops elegans* and *O. occidentalis*) (Sauria: Lacertidae).- Molecular Phylogenetics and Evolution, San Diego; 49: 795-805. LYMBERAKIS, P. & POULAKAKIS, N. & MANTHALOU, G. & TSIGENOPOULOS, C. S. & MAGOULAS, A. & MYLONAS, M. (2007): Mitochondrial phylogeography of *Rana* (*Pelophylax*) populations in the Eastern Mediterranean region.- Molecular Phylogenetics and Evolution, San Diego; 44: 115-125. MOLLOV, I. (2009): A new locality of the Italian Wall Lizard *Podarcis siculus* (RAFINESQUE-SCHMALTZ, 1810) from Turkey.- ZooNotes [online Journal], Plovdiv; 6: 1-3. NAGY, Z. T. & BELLAAGH, M. & WINK, M. & PAUNOVIĆ, M. & KORSÓS, Z. (2010): Phylogeography of the Caspian whipsnake in Europe with emphasis on the westernmost populations.- Amphibia-Reptilia, Leiden; 31: 455-461. SINDACO, R. & VENCHI, A. & CARPANETO, M. G. & BOLOGNA, A. M. (2000): The reptiles of Anatolia: a checklist and zoogeographical analysis.- Biogeographia, Bologna; 21: 441-554. SPEYBROECK, J. & BEUKEMA, W. & CROCHET, P. A. (2010): A tentative species list of the European herpetofauna (Amphibia and Reptilia) – an update.- Zootaxa, Auckland; 2492: 1-27. STAMATIS, C. & SUCHENTRUNK, F. & MOUTOU, K. A. & GIACOMETTI, M. & HAERER, G. & DJAN, M. & VAPA, L. & VUKOVIĆ, M. & TVRTKOVIĆ, N. & SERT, H. & ALVES, P. C. & MAMURIS, Z. (2009): Phylogeography of the brown hare (*Lepus europaeus*) in Europe: a legacy of south-eastern Mediterranean refugia? - Journal of Biogeography, Oxford; 36: 515-528. STOJANOV, A. & TZANKOV, N. & NAUMOV, B. (2011): Die Amphibien und Reptilien Bulgariens; Frankfurt am Main (Chimaira) [Frankfurter Beiträge zur Naturkunde 32], pp. 588. STÖCK, M. & MORITZ, C. & HICKERSON, M. & FRYNTA, D. & DUJSEBAYEVA, T. & EREMCHENKO, V. & MACEY, J. R. & PAPPENFUSS, T. J. & WAKE, D. B. (2006): Evolution of mitochondrial relationships and biogeography of Palearctic green toads (*Bufo viridis* subgroup) with insights in their genomic plasticity.- Molecular Phylogenetics and Evolution, San Diego; 41: 663-689. STÖCK, M. & DUBEY, S. & KLÜTSCH, C. & LITVINCHUK, S. N. & SCHEIDT, U. & PERRIN, N. (2008): Mitochondrial and nuclear phylogeny of circum-Mediterranean tree frogs from the *Hyla arborea* group.- Molecular Phylogenetics and Evolution, San Diego; 49: 1019-1024. SZYMURA, J. M. & LUNT, D. H. & HEWITT, G. M. (1996): The sequence and structure of the meadow grasshopper (*Chorthippus parallelus*) mitochondrial srRNA, ND2, COI, COII, ATPase8 and 9 tRNA genes.- Insect Molecular Biology, Oxford; 5: 127-139. UĞURTAŞ, İ. H. & YILDIRIMHAN, H. S. & ÖZ, M. (2000): Two new localities of *Lacerta sicula hieroglyphica* BERTHOLD, 1842 (Reptilia, Lacertidae).- Turkish Journal of Zoology, Ankara; 24: 253-256. URSENBACHER, S. & SCHWEIGER, S. & TOMOVIĆ, L. & CRNOBRNJA-ISAILOVIĆ, J. & FUMAGALLI, L. & MAYER, W. (2008): Molecular phylogeography of the nose-horned viper (*Vipera ammodytes*, LINNAEUS (1758)): Evidence for high genetic diversity and multiple refugia in the Balkan peninsula.- Molecular Phylogenetics and Evolution, San Diego; 46: 1116-1128. VALAKOS, E. D. & PAFILIS, P. & SOTIROPOULOS, K. & LYMBERAKIS, P. & MARAGOU, P. & FOFOPOULOS, J. (2008): The amphibians and reptiles of Greece; Frankfurt am Main (Chimaira) [Frankfurter Beiträge zur Naturkunde 32], pp. 463. VENCHI, A. & BOLOGNA, M. A. (1996): *Lacerta parva* BOULENGER, a new lizard species for the European fauna.- Amphibia-Reptilia, Leiden; 17: 89-90. WERNER, F. (1902): Die Reptilien- und Amphibienfauna von Kleinasien.- Sitzungsberichte der Akademie der Wissenschaften in Wien, Wien; (mathematisch-naturwissenschaftliche Klasse) 111 (10): 1057-1121. WIELSTRA, B. & ESPREGUEIRA THEMUDO, G. & GÜÇLÜ, Ö. & OLGUN, K. & POYARKOV, N. A. & ARNTZEN, J. W. (2010): Cryptic crested newt diversity at the Eurasian transition: The mitochondrial DNA phylogeography of Near Eastern *Triturus* newts.- Molecular Phylogenetics and Evolution, San Diego; 56: 888-896.

KEYWORDS: Amphibia, Reptilia, herpetofauna, Balkan Peninsula, Turkish Thrace, Turkey, new record localities, mapping, species distribution, chorology

SUBMITTED: December 27, 2011

AUTHORS: Daniel JABLONSKI (corresponding author < daniel.jablonski@balcanica.cz >), Eduard STLOUKAL, Department of Zoology, Faculty of Natural Sciences, Comenius University, Mlynská dolina B-1, 842 15 Bratislava, Slovakia